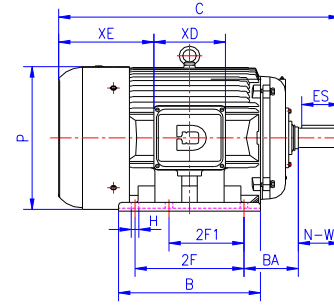
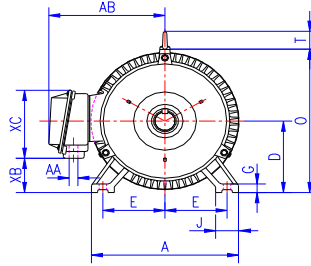
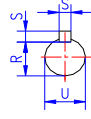
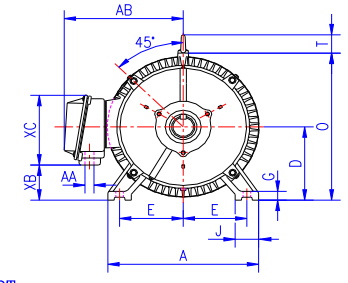
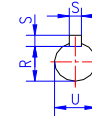


FRAME 143T-215T



FRAME 254T-449T



Dimension (inch)

Frame Designation	Max	A	Max B	C	D	E	2F1	2F	G	H	J	N-W	O	P	R	S	T	U	Min ES	AA	AB	BA	XB	XC	XD	XE
143T	7		5	12.47	3.5	2.75	-	4	0.512	0.34	1.45	2.25	7.08	7.16	0.771	0.188	-	0.875	1.41	3/4	6.89	2.25	1.65	4.49	4.09	3.94
145T			6	13.58			4	5																		4.45
182T	9		6.5	15.11	4.5	3.75	-	4.5	0.59	0.41	1.97	2.75	8.97	8.82	0.986	0.25	1.42	1.125	1.78	1	7.45	2.75	2.05	5	4.57	4.88
184T			7.5	16.11			4.5	5.5																		5.39
213T	10.5		7.5	18.89	5.25	4.25	-	5.5	0.709	0.41	2.36	3.38	10.53	10.4	1.201	0.312	1.73	1.375	2.41	1	8.63	3.5	2.95	5	4.57	6.77
215T			9	20.49			5.5	7																		7.48
254T	12.5		10.8	23.29	6.25	5	-	8.25	0.787	0.53	2.76	4	12.89	12.6	1.416	0.375	2.05	1.625	2.91	1 1/2	11.2	4.25	3	7.2	6.3	7.76
256T			12.5	25.06			8.25	10																		8.66
284T	14		12.5	26.66	7	5.5	-	9.5	0.866	0.53	2.76	4.62	14.28	14.17	1.591	0.5	2.05	1.875	3.28	1 1/2	12	4.75	3.58	7.2	6.3	9.13
284TS				25.25			3.25	1.416				0.375			1.625	1.91										
286T	14		14	28.18	7	5.5	9.5	11	0.866	0.53	2.76	4.62	14.28	14.17	1.591	0.5	2.05	1.875	3.28	1 1/2	12	4.75	3.58	7.2	6.3	9.61
286TS				26.80			3.25	1.416				0.375			1.625	1.91										
324T	16		14	29.95	8	6.25	-	10.5	0.984	0.66	2.76	5.25	15.91	15.75	1.845	0.5	2.44	2.125	3.91	2	13.4	5.25	2.64	10.55	8.98	9.68
324TS				28.45			3.75	1.591				1.875			2.03											
326T	16		15.5	31.24	8	6.25	10.5	12	0.984	0.66	2.76	5.25	15.91	15.75	1.845	0.5	2.44	2.125	3.91	2	13.4	5.25	2.64	10.55	8.98	10.47
326TS				29.74			3.75	1.591				1.875			2.03											
364T	18		15.2	32.68	9	7	-	11.25	1.102	0.66	2.95	5.88	18.13	17.7	2.021	0.625	2.44	2.375	4.28	3	15.7	5.88	3.74	10.55	8.98	10.83
364TS				30.45			3.75	1.591				0.5			1.875	2.03										
365T	18		16.2	34.11	9	7	11.25	12.25	1.102	0.66	2.95	5.88	18.13	17.7	2.021	0.625	2.44	2.375	4.28	3	15.7	5.88	3.74	10.55	8.98	11.3
365TS				31.45			3.75	1.591				0.5			1.875	2.03										
404T	20		16.2	36.81	10	8	-	12.25	1.18	0.81	3.15	7.25	21.02	21.42	2.45	0.75	2.83	2.875	5.65	3	18.31	6.62	4.57	11.73	9.76	11.69
405T	20		17.8	38.35	10	8	-	13.75	1.18	0.81	3.15	7.25	21.02	21.42	2.45	0.75	2.83	2.875	5.65	3	18.31	6.62	4.57	11.73	9.76	12.48
405TS				35.35			4.25	1.845				0.5			2.125	2.78										
444T	22		18.5	42.52	11	9	-	14.5	1.38	0.81	3.35	8.5	22.97	23.43	2.88	0.875	3.46	3.375	6.91	2x3	19.41	7.5	5.67	11.73	11.34	13.39
444TS				38.94			4.75	2.021				0.625			2.375	3.03										
445T	22		20.5	44.5	11	9	14.5	16.5	1.38	0.81	3.35	8.5	22.97	23.43	2.88	0.875	3.46	3.375	6.91	2x3	19.41	7.5	5.67	11.73	11.34	14.37
445TS				40.71			4.75	2.021				0.625			2.375	3.03										
447T	22		24	48.03	11	9	-	20	1.38	0.81	3.35	8.5	22.97	23.43	2.88	0.875	3.46	3.375	6.91	2x3	19.41	7.5	5.67	11.73	11.34	18.9
447TS				44.25			4.75	2.021				0.625			2.375	3.03										
449T	22		31	55.27	11	9.0	-	25	1.575	0.81	3.35	8.5	23	23.62	2.88	0.875	4.25	3.375	7.01	3	19	7.5	4.74	11.8	11.3	20
449TS				51.2			4.72	2.021				0.625			2.375	3.15										